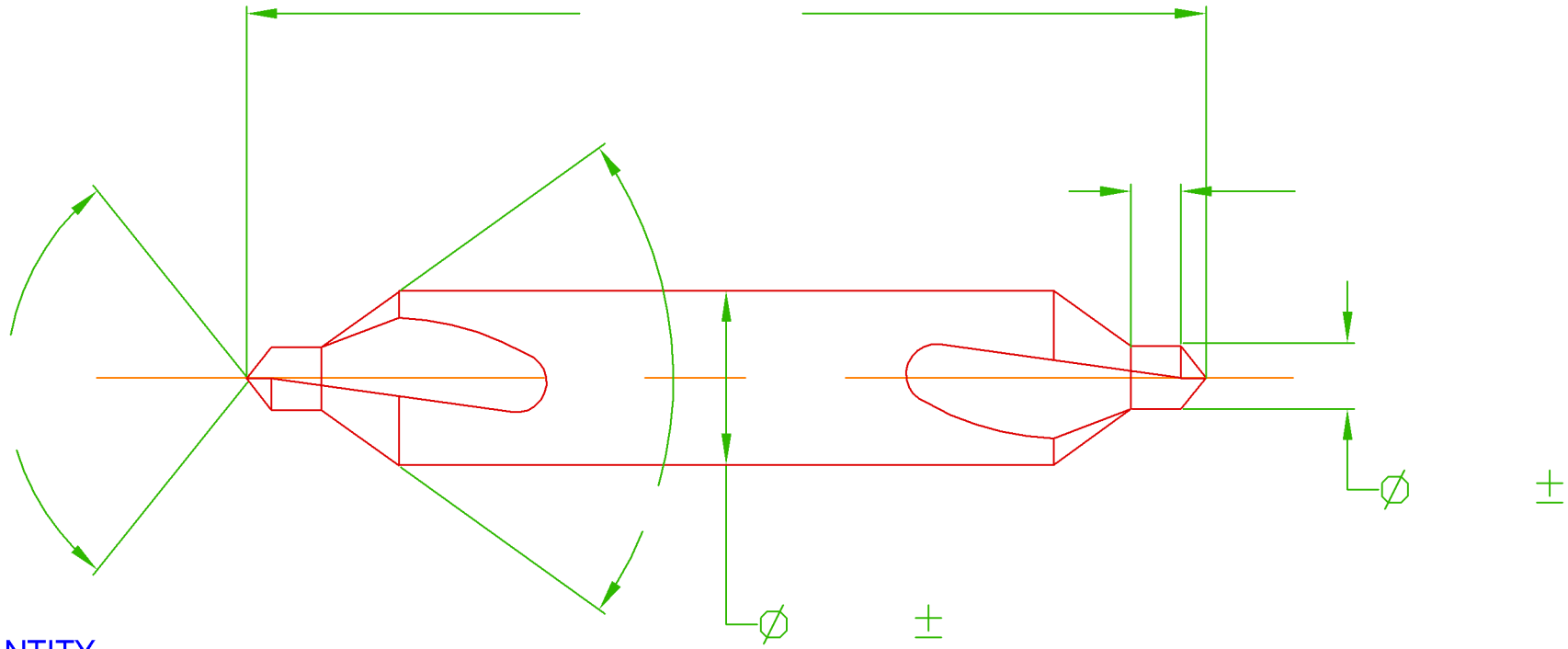


CENTER DRILL

OVERALL



DESIRED QUANTITY

MATERIAL

OF FLUTES

SPIRAL ORIENTATION

CUT ORIENTATION

HELIX ANGLE

BACK TAPER

COATING

COOLANT THRU

ADDITIONAL COMMENTS:

DRILL POINT STYLE:

PROGRAM #		WWW.TOOL - CRAFT.COM		CUSTOMER NAME	
STANDARD TOLERANCES		 <p>TOOL-CRAFT INDUSTRIES, INC. 2525 W. 14 Mile Rd, Royal Oak, MI, 48073 (248) 549 0077</p>		PART #	
0.00	± 0.10			DATE	
0.000	± 0.001			REV.	
0.0000	± 0.0005			DRAWN BY (INITIALS)	
ANGLES	± 1°			MATERIAL	